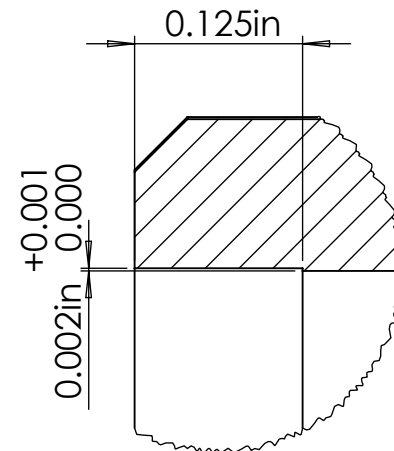


SECTION A-A



DETAIL A
BEARING LEAD-IN (TYP. OF 2)
SCALE 7 : 1

PROPRIETARY AND CONFIDENTIAL THE INFORMATION CONTAINED IN THIS DRAWING IS THE SOLE PROPERTY OF UBC FORMULA ELECTRIC. ANY REPRODUCTION IN PART OR AS A WHOLE WITHOUT THE WRITTEN PERMISSION OF UBC FORMULA ELECTRIC IS PROHIBITED.	DRN: AIDAN SOMANI APD: DATE: 03-MAR-2026	INTERPRET GEOMETRIC TOLERANCING PER: Y14.5 - 2009	DIMENSIONAL NOTES ALL LINEAR DIMENSIONS ARE IN MILLIMETERS UNLESS OTHERWISE NOTED. ALL ANGULAR DIMENSIONS ARE IN DEGREES UNLESS OTHERWISE NOTED. ALL DIMENSIONS ARE TAKEN AFTER FINISHING PROCESSES		TITLE: LOWER BEARING SUPPORT SLEEVE
		MATERIAL AISI 1008 STEEL	TOLERANCES UNLESS OTHERWISE NOTED: Ø SIZE ±0.1mm SIZE ±0.1mm		SIZE DWG. NO. REV A
	2345 East Mall Vancouver BC, Canada V6T 1Z4 P: 415-889-7502 e: CONTACT@UBCFORMULAELECTRIC.COM	FINISH AS MACHINED			SCALE: 1:1 SHEET 1 OF 1
	e: CONTACT@UBCFORMULAELECTRIC.COM	EST. MASS N/A			