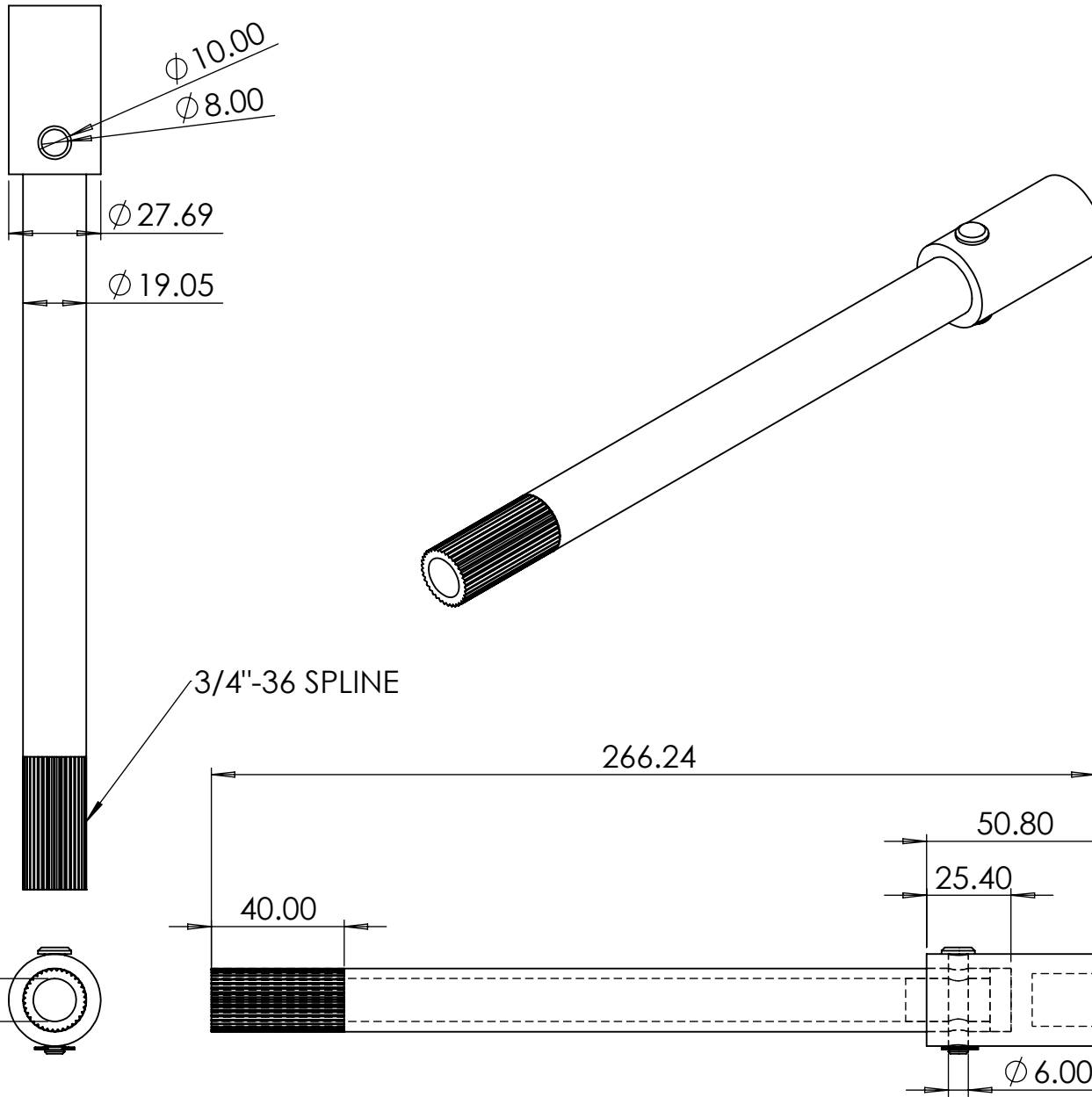


B

B

A

A



**PROPRIETARY AND CONFIDENTIAL**

THE INFORMATION CONTAINED IN THIS DRAWING IS THE SOLE PROPERTY OF UBC FORMULA ELECTRIC. ANY REPRODUCTION IN PART OR AS A WHOLE WITHOUT THE WRITTEN PERMISSION OF UBC FORMULA ELECTRIC IS PROHIBITED.

DRN: AIDAN SOMANI | APD:  
 DATE: 03-MAY-2026

**UBC Formula Electric**

2345 East Mall Vancouver  
 BC, Canada V6T 1Z4  
 P: 415-889-7502  
 e: CONTACT@UBCFORMULAELECTRIC.COM

INTERPRET GEOMETRIC TOLERANCING PER: Y14.5 - 2009

MATERIAL  
 MILD STEEL

FINISH  
 AS MACHINED

EST. MASS  
 N/A

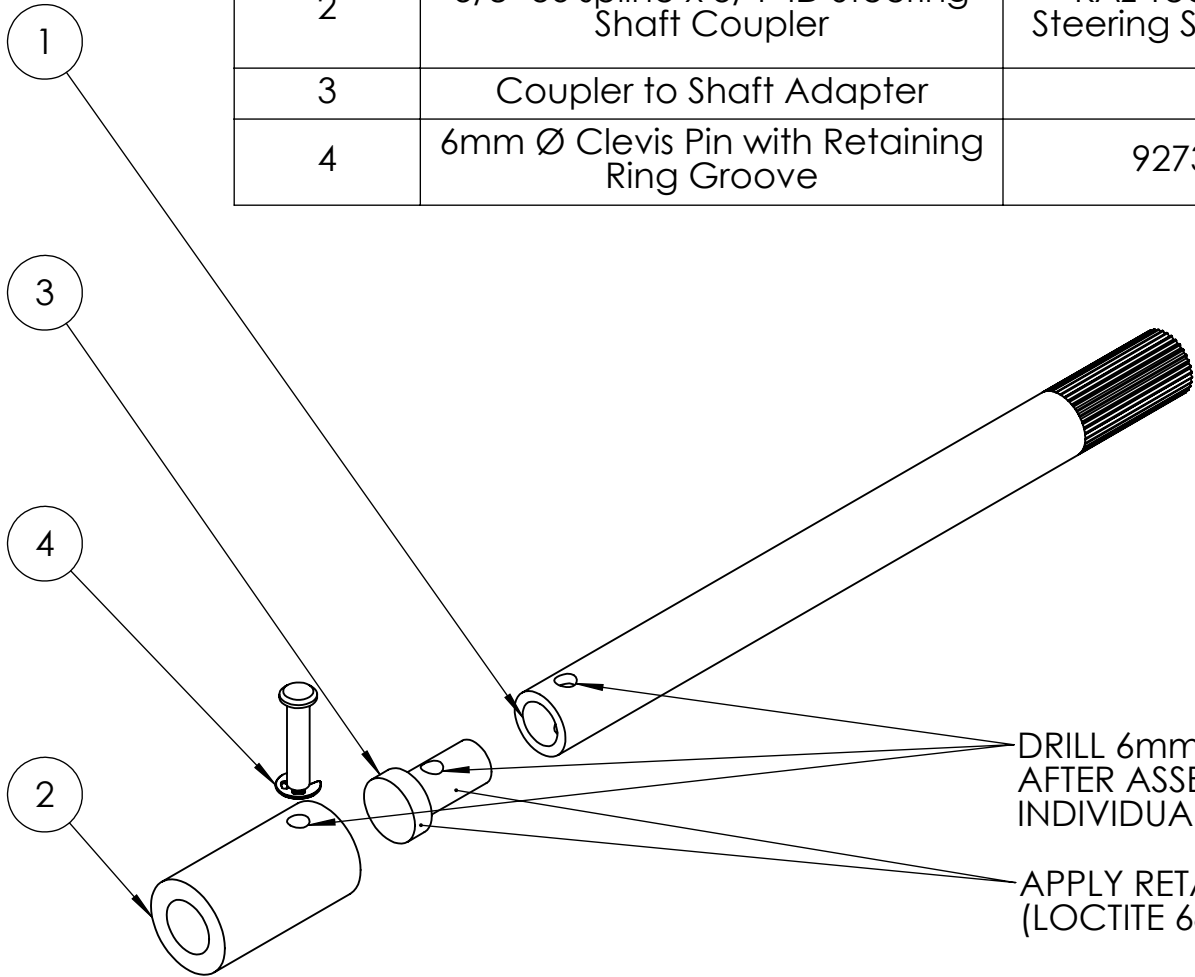
**DIMENSIONAL NOTES**  
 ALL LINEAR DIMENSIONS ARE IN MILLIMETERS UNLESS OTHERWISE NOTED. ALL ANGULAR DIMENSIONS ARE IN DEGREES UNLESS OTHERWISE NOTED. ALL DIMENSIONS ARE TAKEN AFTER FINISHING PROCESSES

TOLERANCES UNLESS OTHERWISE NOTED:  
 $\phi$  SIZE  $\pm 0.1$ mm      SIZE  $\pm 0.1$ mm

**TITLE:** STEERING COLUMN LOWER: ASSEMBLED

SIZE <b>A</b>	DWG. NO.	REV A
SCALE: 1:2		SHEET 1 OF 3

ITEM NO.	DESCRIPTION	PART NUMBER	MATERIAL	QTY.
1	3/4" x 0.120" Splined Shaft	01-17-2614-0	MILD STEEL	1
2	5/8"-36 spline x 3/4" ID Steering Shaft Coupler	KAZ Technologies Steering Shaft Coupler	MILD STEEL	1
3	Coupler to Shaft Adapter	-	MILD STEEL	1
4	6mm Ø Clevis Pin with Retaining Ring Groove	92735A133	CARBON STEEL	1



DRILL 6mm Ø HOLE THROUGH ITEMS 1, 2, AND 3 AFTER ASSEMBLY. DO NOT DRILL COMPONENTS INDIVIDUALLY.

APPLY RETAINING COMPOUND (LOCTITE 680) X2 FACES

B

B

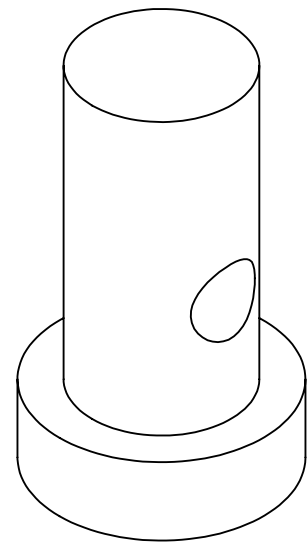
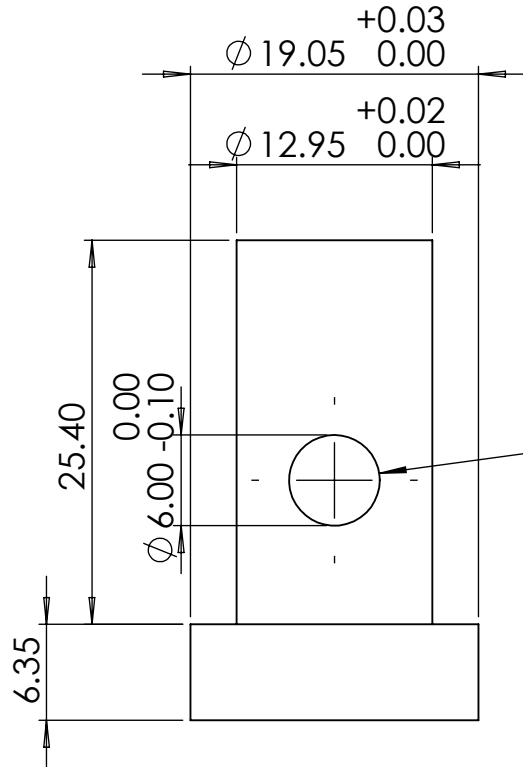
A

A

<p><b>PROPRIETARY AND CONFIDENTIAL</b></p> <p>THE INFORMATION CONTAINED IN THIS DRAWING IS THE SOLE PROPERTY OF UBC FORMULA ELECTRIC. ANY REPRODUCTION IN PART OR AS A WHOLE WITHOUT THE WRITTEN PERMISSION OF UBC FORMULA ELECTRIC IS PROHIBITED.</p>	DRN: AIDAN SOMANI    APD: DATE: 03-MAY-2026	INTERPRET GEOMETRIC TOLERANCING PER: Y14.5 - 2009	<b>TITLE:</b> STEERING COLUMN LOWER - EXPLODED		
	<p>2345 East Mall Vancouver                  BC, Canada V6T 1Z4                  P: 415-889-7502                  e: CONTACT@UBCFORMULAELECTRIC.COM</p>	MATERIAL	ALL LINEAR DIMENSIONS ARE IN MILLIMETERS UNLESS OTHERWISE NOTED. ALL ANGULAR DIMENSIONS ARE IN DEGREES UNLESS OTHERWISE NOTED. ALL DIMENSIONS ARE TAKEN AFTER FINISHING PROCESSES		
		FINISH	TOLERANCES UNLESS OTHERWISE NOTED: Ø SIZE ±0.1mm                      SIZE ±0.1mm	SIZE <b>A</b>	DWG. NO.
		EST. MASS	AS MACHINED	REV A	
	470.0g		SCALE: 1:2	SHEET 2 OF 3	

B

B



HOLE DRILLED AFTER ASSEMBLY.  
SEE EXPLODED ASSEMBLY  
DRAWING FOR DETAILS.

A

A

<b>PROPRIETARY AND CONFIDENTIAL</b>  THE INFORMATION CONTAINED IN THIS DRAWING IS THE SOLE PROPERTY OF UBC FORMULA ELECTRIC. ANY REPRODUCTION IN PART OR AS A WHOLE WITHOUT THE WRITTEN PERMISSION OF UBC FORMULA ELECTRIC IS PROHIBITED.	DRN: AIDAN SOMANI DATE: 03-MAY-2026	APD:  	INTERPRET GEOMETRIC TOLERANCING PER: Y14.5 - 2009 MATERIAL AISI 1008 STEEL	<b>DIMENSIONAL NOTES</b> ALL LINEAR DIMENSIONS ARE IN MILLIMETERS UNLESS OTHERWISE NOTED. ALL ANGULAR DIMENSIONS ARE IN DEGREES UNLESS OTHERWISE NOTED. ALL DIMENSIONS ARE TAKEN AFTER FINISHING PROCESSES  TOLERANCES UNLESS OTHERWISE NOTED: $\phi$ SIZE $\pm 0.1\text{mm}$ SIZE $\pm 0.1\text{mm}$	<b>TITLE: COUPLER TO SHAFT ADAPTER</b>	
	 2345 East Mall Vancouver BC, Canada V6T 1Z4 P: 415-889-7502 e: CONTACT@UBCFORMULAELECTRIC.COM	FINISH <b>AS MACHINED</b>	EST. MASS -		SIZE <b>A</b>	DWG. NO.
					SCALE: 2:1	SHEET 3 OF 3